

About Kramer Equestrian

It all started in 1967, when Richard Krämer, a well-travelled and successful businessman, founded a mail order business for saddles "Sattelversand Krämer Pferdesport". Today, headquarters are located at Hockenheim, where equestrian products are being developed, distributed and sold on over 30,000 square metres. Currently, 800 employees supply over 800,000 horse enthusiasts in Germany, Austria, Luxembourg, France, the Netherlands, Belgium, Great Britain, and, through its subsidiary Felix Bühler, Switzerland. Besides its successful mail order business, Kramer Equestrian has in the last few years diversified into retail by opening MEGA STORES, with a floor space of approx. 1,300 square metres each. More on: www.kramer.co.uk

About Rausch Netzwerktechnik

Since 1998 we consider ourselves as your reliable partner, solution provider and developer, enabling technology innovations. Organizations as well as data centers around the globe trust in our standard and individual solutions to advance their business – we have already implemented more than 250,000 systems in a precisely fitting manner. And we even go a step further: Based on hardware of our own or of our long-time partners, we chose the right software for the operation of your server or storage cluster and build tailor-made solutions – delivery, launch and support are included as well! More on www.rnt.de/en

About Open-E

Open-E is a well-established developer of IP-based storage management software. Open-E JovianDSS, Open-E DSS V7 and the free Open-E DSS V7 SOHO are robust, award-winning storage applications which offer excellent compatibility with industry standards, and are the easiest to use and manage. Additionally, they are some of the most stable solutions on the market and undisputed price performance leaders. Open-E accounts for over 30,000 installations world-wide and has received numerous industry awards and recognition. Thanks to its reputation, experience and business reliability, Open-E has become the technology partner of choice for industry-leading IT companies. For further information about Open-E, its products and partners, visit www.open-e.com

More information:
Rausch Netzwerktechnik GmbH
+49 (0)7243 59290 | info@rnt.de
Open-E GmbH
+49 (89) 800777 0 | info@open-e.com

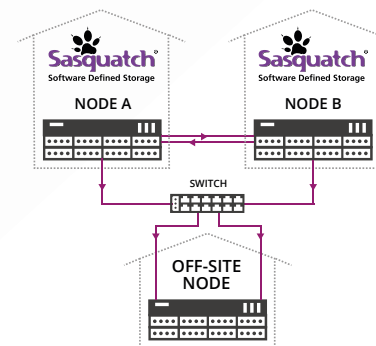
RAUSCH NETZWERKTECHNIK 
www.rnt.de

You can always count on us - today & in the future!



**Specialist for equestrian sports integrates
new storage environment
with Open-E JovianDSS Metro Cluster
and On- & Off-site Data Protection**

As a long-established company, Kramer Equestrian offers more than 25,000 products from over 100 vendors. The broad portfolio for both riders and horses ranges from saddles to riding helmets or equipment for stables. More than 800 employees offer excellent know-how in equestrian sports, competent advice, customer focus and fast delivery times.



With over 1 billion orders per year in Europe, Kramer Equestrian was looking for a new storage environment for the company. They required an absolutely reliable and flexible solution which could also be set up on Citrix XenServer and grow flexibly together with the increasing demands. Installation and support were supposed to be delivered by only one technical contractor.

open-e 
JovianDSS

Solution

Kramer Equestrian chose storage specialist and Open-E Platinum Partner Rausch Netzwerktechnik for their project. Sebastian Templin, technical Account Manager of Rausch and his team created a brand-new concept for the infrastructure. This concept included a flexible and highly available Metro Cluster with Rausch's own brand Sasquatch SDS | ZFS Variety Metro HA, based on Open-E JovianDSS storage software and Citrix XenServer.

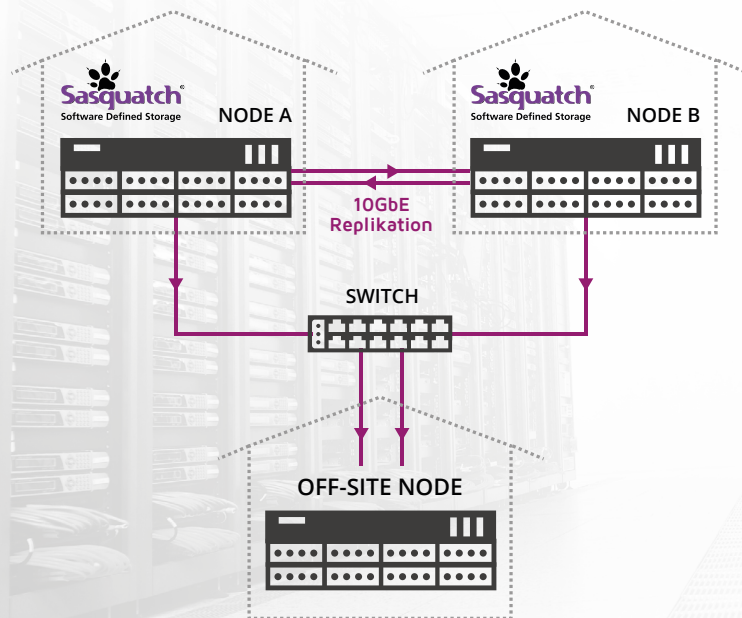
Thanks to the On- and Off-site Data Protection feature of the software, the environment was divided into two fire protection zones in different buildings, as well as another location for an additional backup. This way, the setup provides perfect redundancy and data security.

Customer feedback

Phil Stricker, Co-owner / Shareholder

„Open-E was and is an exciting product for me. The ZFS Metro Cluster is currently a unique solution. I can use the full set of ZFS features including snapshots, compression and off-site replication for my virtual machines, at the same time distributing my data to two fire protection zones. The performance is good and there are no hardware limitations.“

Hardware setup



Technical specifications

Sasquatch SDS | ZFS Variety Metro HA Cluster

Server in general	2U, 12 slot chassis, redundant power supplies and fans
CPU	1 x Intel E5-2637v4
RAM	256GB DDR4 for ARC (transaction cache)
Ethernet	2 x 1GbE, 2 x 10GbE (storage), 2 x 10GbE (replication)
HBA	12Gbit SAS
HDDs	10 x 900GB 10k SAS with internal 32GB NAND Cache 1 x 400GB write-intensive SSD as ZIL Cache 1 x 480GB SSD as L2ARC Read Cache
Software	Open-E JovianDSS basic license 16TB Open-E JovianDSS license extension Advanced Metro High Availability Cluster Feature Pack
Support	3 years Premium Support 3 years NBD service (5x9) in case of hardware failure